



2017 Designer of the Year (DoTY) Student Challenge – Universal Design

A Place to Grow

The Interior Design Society (IDS) is an independent national organization comprised of more than 2,000 members. IDS is one of the country's largest design organizations dedicated to serving the residential interior design industry. IDS embraces four core values including professionalism, community, influence and growth.

Mission Statement

The Interior Design Society is an association of professional interior design entrepreneurs focused on helping our members grow their businesses, develop their talents, inspire each other, and impact their communities.

Client Profile

Your clients, Kayleb and Megan Moore, both 30-year old Millennials who enjoy luxury and have an active lifestyle. They have recently decided to renovate their master bathroom because a few years ago, Kayleb was involved in an accident resulting in him being paralyzed from the waist down. He is now bound to a wheel chair and is in need of a user-friendly, American with Disabilities Act (ADA) -compliant bathroom. The couple would like the bathroom to feel and look "normal", for resell purposes. They have come to an agreement and are willing to step out of their comfort zone when it comes to the design. The couple is 100% open to any new ideas and they would like the designer to be unique with their design and inventive. They have no children or pets.

The Challenge

You are entering the first-ever IDS student challenge. In this challenge you will be required to design a Universal Design, 200 sq. ft., ADA-compliant master spa bathroom for Millennials, Kayleb and Megan Moore. You must create a floor plan that includes all of the following specifications (See sample floor plans for ideas):

- Floor plan (with specifications and dimensions)
 - Water closet (toilet)
 - Roll-in Shower with bench & shower system
 - Tub
 - Double vanity with tilted mirrors
 - 5 ft. wheelchair turning radius (60" diameter); minimum clearance 48" x 32"
 - Grab bars
 - Non-slip flooring
 - Linen storage
 - Lighting

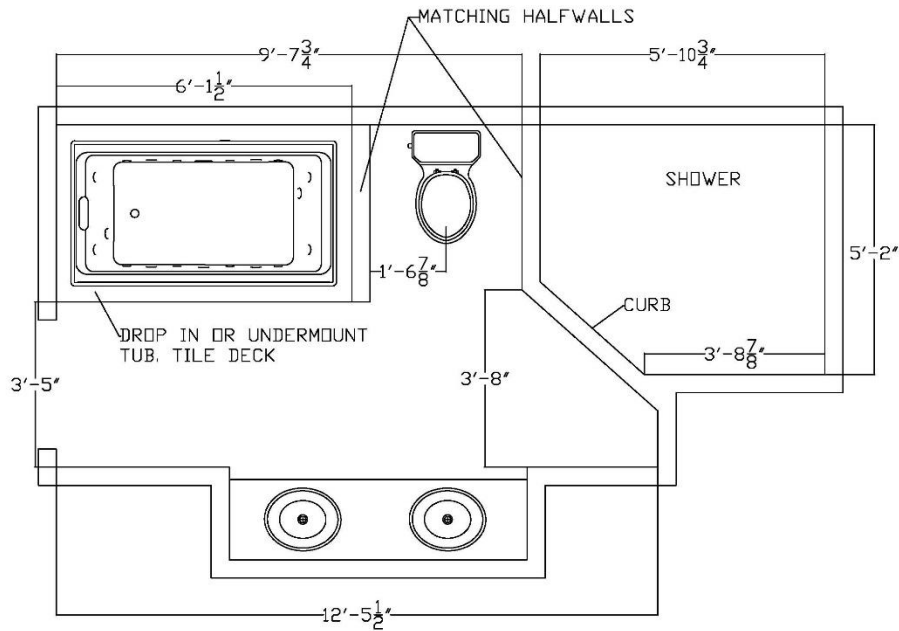
There are no limitations so feel free to explore your options and utilize the space to the fullest potential. Remember to think "outside the box" and let your creativity drive your design.

Final Submission

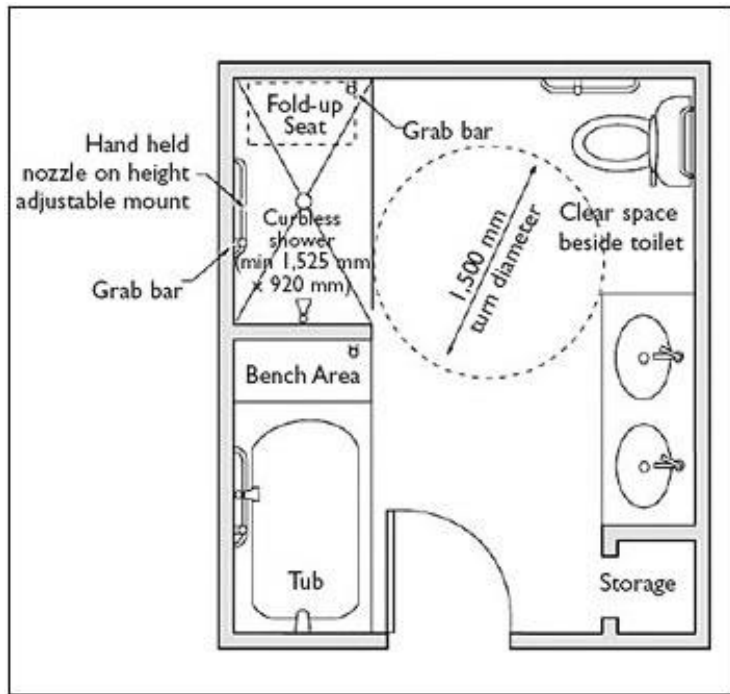
Your final submission should include the following, ALL in digital format:

- The floor plan (with specifications and dimensions); size 11" x 17" pdf
- Brief description of the design
- 3 elevations (with dimensions); size 8.5" x 11
- 1-2 concept boards (fixtures, flooring, finishes, lighting, paint color, tile, backsplash, mirrors, etc.)

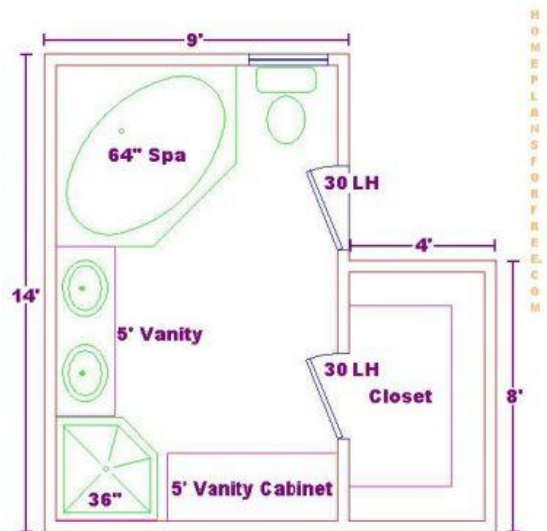
Sample Floor Plan 1



Sample Floor Plan 2



Sample Floor Plan 3



And the winner is...

The winner will receive a paid roundtrip ticket to the 2018 IDS National Conference that will be held in Savannah, GA from April 30th – May 2nd. The winner will receive a 3 night's stay at The DeSoto where he/she will be presented with the Student DotY Award and \$500. Winning the Student DotY Award creates credibility, recognition and accomplishment, which is recognized by IDS members as well as the other design professionals in our industry nationwide.